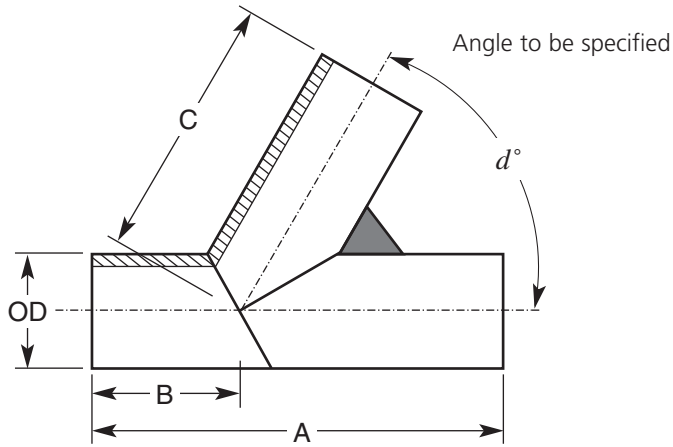




### PE CNC BUTT WELDED JUNCTIONS 45° / 60°



OD	A	B	C
90	700	270	430
110	700	270	430
125	750	300	450
140	780	300	480
160	850	330	520
180	950	360	590
200	960	370	590
225	1080	420	660
250	1150	450	710
280	1250	500	750
315	1350	530	820
355	1450	570	880
400	1550	600	950
450	1850	650	1200
500	2100	700	1400
560	2200	800	1400
630	2300	800	1500
710	2600	900	1700
800	2800	1000	1800
1000	3400	1200	2200



CNC Butt Welded reducing Y - junction.

