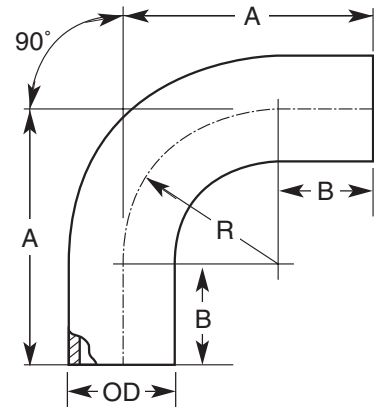




PE SWEEP BENDS: 90°

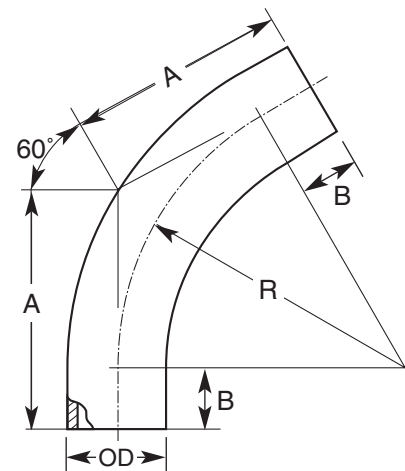
CODE	OD	A	B	R
S..02090	20	200	100	100
S..02590	25	200	100	100
S..03290	32	228	100	128
S..04090	40	260	100	160
S..05090	50	275	100	175
S..06390	63	325	100	225
S..07590	75	455	150	305
S..09090	90	455	150	305
S..11090	110	560	180	380
S..12590	125	560	180	380
S..14090	140	660	200	460
S..16090	160	660	200	460
S..20090	200	785	250	535
S..22590	225	785	250	535
S..25090	250	915	300	615
S..28090	280	965	350	615
S..31590	315	1115	400	715
S..35590	355	1280	500	780
S..40090	400	1620	550	1070
S..45090	450	1650	550	1100
S..50090	500	1950	700	1250
S..56090	560	1982	700	1282
S..63090	630	2015	700	1315
S..71090	710	2462	900	1562
S..80090	800	2660	900	1760
S..100090	1000	3100	1000	2100



··PN rating to be specified
Full range of angles from 5° to 180° available on request

PE SWEEP BENDS: 60°

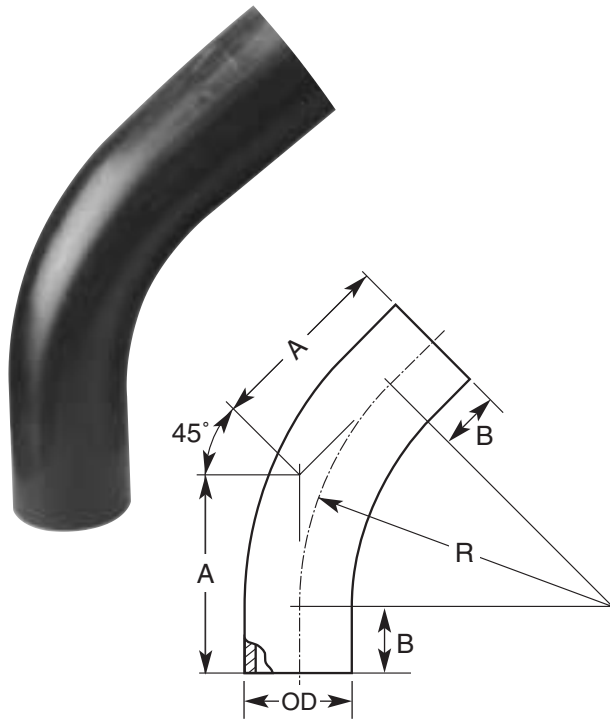
CODE	OD	A	B	R
S..02060	20	155	100	100
S..02560	25	155	100	100
S..03260	32	170	100	128
S..04060	40	190	100	160
S..05060	50	200	100	175
S..06360	63	230	100	225
S..07560	75	320	150	305
S..09060	90	320	150	305
S..11060	110	400	180	380
S..12560	125	400	180	380
S..14060	140	465	200	460
S..16060	160	465	200	460
S..20060	200	560	250	535
S..22560	225	560	250	535
S..25060	250	655	300	615
S..28060	280	705	350	615
S..31560	315	810	400	715
S..35560	355	950	500	780
S..40060	400	1160	550	1070
S..45060	450	1185	550	1100
S..50060	500	1420	700	1250
S..56060	560	1440	700	1282
S..63060	630	1460	700	1315
S..71060	710	1800	900	1562
S..80060	800	1920	900	1760
S..100060	1000	2210	1000	2100



··PN rating to be specified
Full range of angles from 5° to 180° available on request



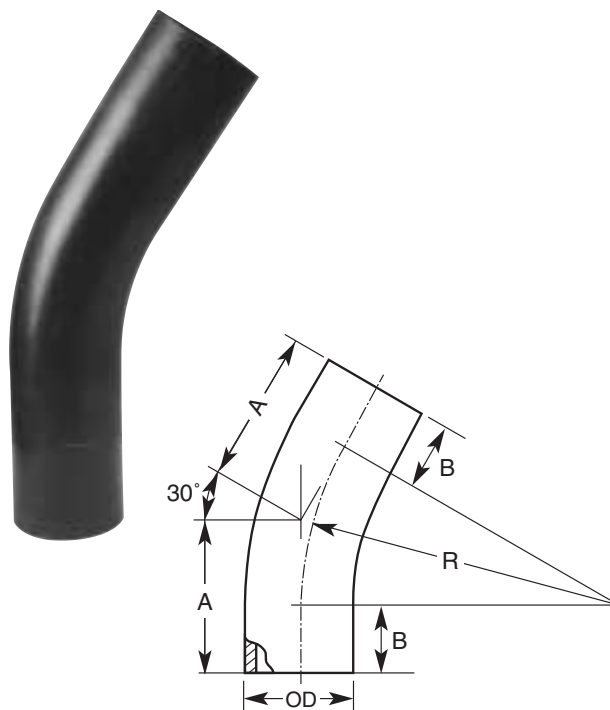
PE SWEEP BENDS: 45°



..PN rating to be specified
Full range of angles from 5° to 180° available on request

CODE	OD	A	B	R
S..02045	20	140	100	100
S..02545	25	140	100	100
S..03245	32	150	100	128
S..04045	40	165	100	160
S..05045	50	170	100	175
S..06345	63	190	100	225
S..07545	75	270	150	305
S..09045	90	270	150	305
S..11045	110	340	180	380
S..12545	125	340	180	380
S..14045	140	390	200	460
S..16045	160	390	200	460
S..20045	200	470	250	535
S..22545	225	470	250	535
S..25045	250	550	300	615
S..28045	280	605	350	615
S..31545	315	695	400	715
S..35545	355	820	500	780
S..40045	400	990	550	1070
S..45045	450	1005	550	1100
S..50045	500	1215	700	1250
S..56045	560	1230	700	1282
S..63045	630	1245	700	1315
S..71045	710	1550	900	1562
S..80045	800	1630	900	1760
S..100045	1000	1870	1000	2100

PE SWEEP BENDS: 30°



..PN rating to be specified
Full range of angles from 5° to 180° available on request

CODE	OD	A	B	R
S..02030	20	130	100	100
S..02530	25	130	100	100
S..03230	32	134	100	128
S..04030	40	140	100	160
S..05030	50	146	100	175
S..06330	63	160	100	225
S..07530	75	230	150	305
S..09030	90	230	150	305
S..11030	110	280	180	380
S..12530	125	280	180	380
S..14030	140	320	200	460
S..16030	160	320	200	460
S..20030	200	320	250	535
S..22530	225	400	250	535
S..25030	250	460	300	615
S..28030	280	510	350	615
S..31530	315	605	400	715
S..35530	355	710	500	780
S..40030	400	830	550	1070
S..45030	450	840	550	1100
S..50030	500	1030	700	1250
S..56030	560	1040	700	1282
S..63030	630	1050	700	1315
S..71030	710	1310	900	1562
S..80030	800	1360	900	1760
S..100030	1000	1550	1000	2100