



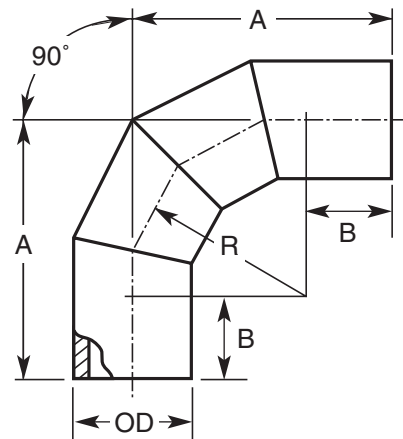
PE SEGMENTED BEND 90°

CNC Butt Welded

CODE	OD	A	B	R
SB..09090	90	235	100	135
SB..11090	110	265	100	165
SB..12590	125	338	150	188
SB..14090	140	360	150	210
SB..16090	160	390	150	240
SB..20090	200	450	150	300
SB..22590	225	488	150	338
SB..25090	250	625	250	375
SB..28090	280	670	250	420
SB..31590	315	777	300	477
SB..35590	355	833	300	533
SB..40090	400	900	300	600
SB..45090	450	975	300	675
SB..50090	500	1100	350	750
SB..56090	560	1190	350	840
SB..63090	630	1295	350	945
SB..71090	710	1415	350	1065
SB..80090	800	1550	350	1200
SB..100090	1000	1900	400	1500
SB..120090	1200	2200	400	1800

--PN rating to be specified

Full range of angles from 5° to 180° available on request



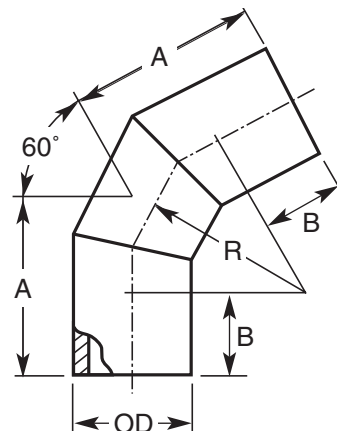
PE SEGMENTED BEND 60°

CNC Butt Welded

CODE	OD	A	B	R
SB..09060	90	178	100	135
SB..11060	110	195	100	165
SB..12560	125	258	150	188
SB..14060	140	275	150	210
SB..16060	160	288	150	240
SB..20060	200	323	150	300
SB..22560	225	345	150	338
SB..25060	250	466	250	375
SB..28060	280	492	250	420
SB..31560	315	576	300	477
SB..35560	355	608	300	533
SB..40060	400	646	300	600
SB..45060	450	689	300	675
SB..50060	500	783	350	750
SB..56060	560	835	350	840
SB..63060	630	896	350	945
SB..71060	710	965	350	1065
SB..80060	800	1043	350	1200
SB..100060	1000	1267	400	1500
SB..120060	1200	1440	400	1800

--PN rating to be specified

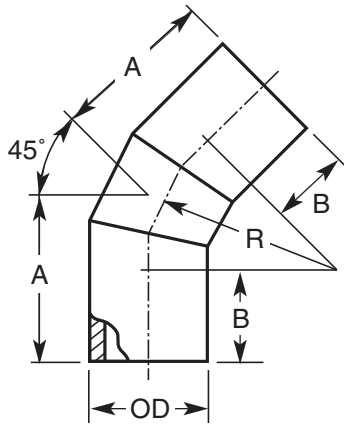
Full range of angles from 5° to 180° available on request





PE SEGMENTED BEND 45°

CNC Butt Welded



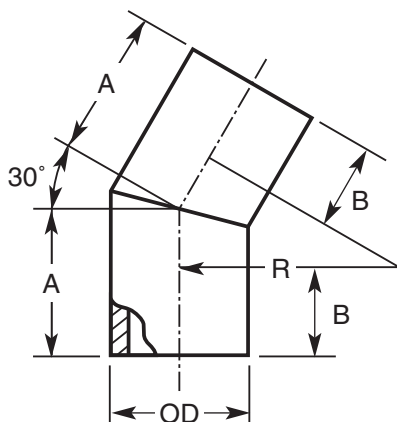
CODE	OD	A	B	R
SB..09045	90	156	100	135
SB..11045	110	168	100	165
SB..12545	125	227	150	188
SB..14045	140	237	150	210
SB..16045	160	249	150	240
SB..20045	200	274	150	300
SB..22545	225	290	150	338
SB..25045	250	412	250	375
SB..28045	280	474	250	420
SB..31545	315	498	300	477
SB..35545	355	520	300	533
SB..40045	400	548	300	600
SB..45045	450	580	300	675
SB..50045	500	665	350	750
SB..56045	560	698	350	840
SB..63045	630	741	350	945
SB..71045	710	791	350	1065
SB..80045	800	847	350	1200
SB..100045	1000	1022	400	1500
SB..120045	1200	1146	400	1800

..PN rating to be specified

Full range of angles from 5° to 180° available on request

PE SEGMENTED BEND 30°

CNC Butt Welded



CODE	OD	A	B	R
SB..09030	90	135	100	135
SB..11030	110	143	150	165
SB..12530	125	199	150	188
SB..14030	140	205	150	210
SB..16030	160	213	150	240
SB..20030	200	230	150	300
SB..22530	225	241	150	338
SB..25030	250	350	250	375
SB..28030	280	362	250	420
SB..31530	315	428	300	477
SB..35530	355	443	300	533
SB..40030	400	461	300	600
SB..45030	450	481	300	675
SB..50030	500	551	350	750
SB..56030	560	575	350	840
SB..63030	630	603	350	945
SB..71030	710	631	350	1065
SB..80030	800	666	350	1200
SB..100030	1000	795	400	1500
SB..120030	1200	875	400	1800

..PN rating to be specified

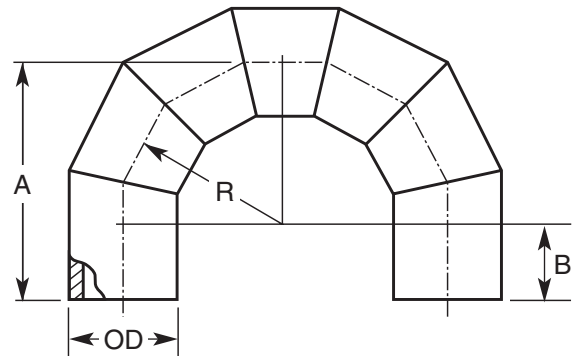
Full range of angles from 5° to 180° available on request



PE SEGMENTED BEND 180°

CNC Butt Welded

CODE	OD	A	B	R
SB..090180	90	235	100	135
SB..110180	110	265	100	165
SB..125180	125	338	150	188
SB..140180	140	360	150	210
SB..160180	160	390	150	240
SB..200180	200	450	150	300
SB..225180	225	488	150	338
SB..250180	250	625	150	375
SB..280180	280	670	150	420
SB..315180	315	777	300	477
SB..355180	355	833	300	533
SB..400180	400	900	300	600
SB..450180	450	975	300	675
SB..500180	500	1100	350	750
SB..560180	560	1190	350	840
SB..630180	630	1295	350	945
SB..710180	710	1415	350	1065
SB..800180	800	1550	350	1200
SB..1000180	1000	1900	400	1500
SB..1200180	1200	2200	400	1800



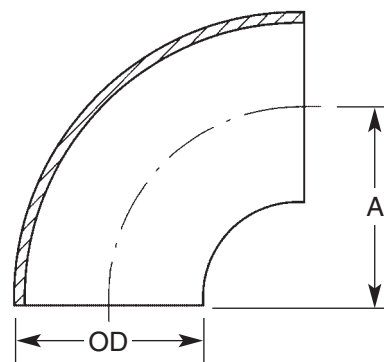
..PN rating to be specified

Full range of angles from 5° to 180° available on request

PE MOULDED SHORT RADIUS ELBOWS: 90°

Suitable for butt weld

CODE	OD	A
SRE..02090	20	23
SRE..02590	25	30
SRE..03290	32	34
SRE..04090	40	42
SRE..05090	50	52
SRE..06390	63	66
SRE..07590	75	78
SRE..09090	90	93
SRE..11090	110	115
SRE..12590	125	130
SRE..14090	140	145
SRE..16090	160	167
SRE..20090	200	207
SRE..22590	225	232
SRE..25090	250	257
SRE..28090	280	287
SRE..31590	315	322
SRE..35590	355	380
SRE..40090	400	425
SRE..45090	450	450
SRE..50090	500	450



..PN rating to be specified