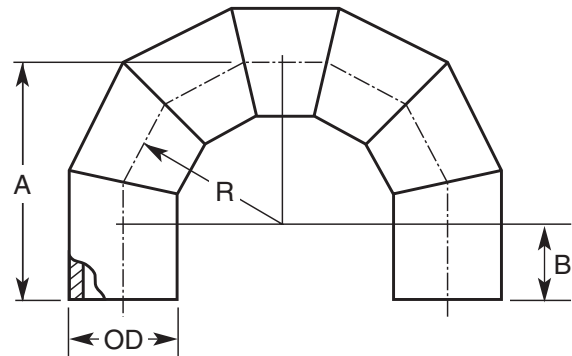




## PE SEGMENTED BEND 180°

CNC Butt Welded

CODE	OD	A	B	R
SB..090180	90	235	100	135
SB..110180	110	265	100	165
SB..125180	125	338	150	188
SB..140180	140	360	150	210
SB..160180	160	390	150	240
SB..200180	200	450	150	300
SB..225180	225	488	150	338
SB..250180	250	625	150	375
SB..280180	280	670	150	420
SB..315180	315	777	300	477
SB..355180	355	833	300	533
SB..400180	400	900	300	600
SB..450180	450	975	300	675
SB..500180	500	1100	350	750
SB..560180	560	1190	350	840
SB..630180	630	1295	350	945
SB..710180	710	1415	350	1065
SB..800180	800	1550	350	1200
SB..1000180	1000	1900	400	1500
SB..1200180	1200	2200	400	1800



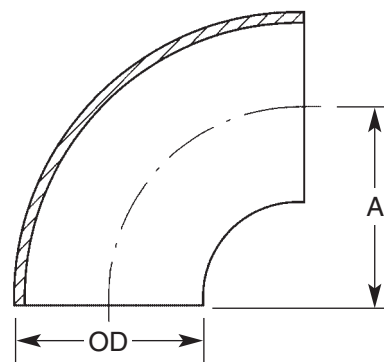
..PN rating to be specified

Full range of angles from 5° to 180° available on request

## PE MOULDED SHORT RADIUS ELBOWS: 90°

Suitable for butt weld

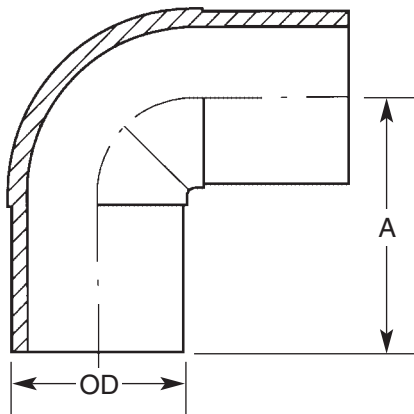
CODE	OD	A
SRE..02090	20	23
SRE..02590	25	30
SRE..03290	32	34
SRE..04090	40	42
SRE..05090	50	52
SRE..06390	63	66
SRE..07590	75	78
SRE..09090	90	93
SRE..11090	110	115
SRE..12590	125	130
SRE..14090	140	145
SRE..16090	160	167
SRE..20090	200	207
SRE..22590	225	232
SRE..25090	250	257
SRE..28090	280	287
SRE..31590	315	322
SRE..35590	355	380
SRE..40090	400	425
SRE..45090	450	450
SRE..50090	500	450



..PN rating to be specified

## PE MOULDED LONG SPIGOT - 90° ELBOWS

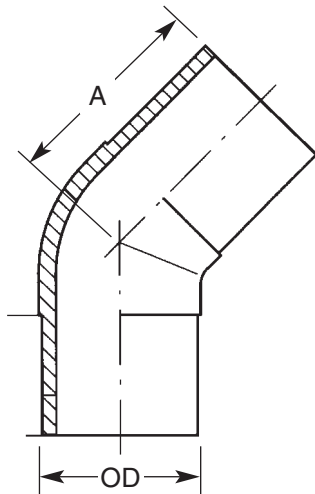
Suitable for electrofusion or butt weld



CODE	OD	A
EFE02590	25	80
EFE03290	32	73
EFE04090	40	83
EFE05090	50	93
EFE06390	63	109
EFE07590	75	135
EFE09090	90	129
EFE11090	110	149
EFE12590	125	165
EFE16090	160	190
EFE20090	200	220
EFE22590	225	239
EFE25090	250	307
EFE28090	280	336
EFE31590	315	372

## PE MOULDED LONG SPIGOT - 45° ELBOWS

Suitable for electrofusion or butt weld



CODE	OD	A
EFE02545	25	48
EFE03245	32	57
EFE04045	40	63
EFE05045	50	70
EFE06345	63	80
EFE07545	75	95
EFE09045	90	104
EFE11045	110	108
EFE12545	125	133
EFE16045	160	157
EFE20045	200	171
EFE22545	225	183
EFE25045	250	219
EFE28045	280	244
EFE31545	315	256