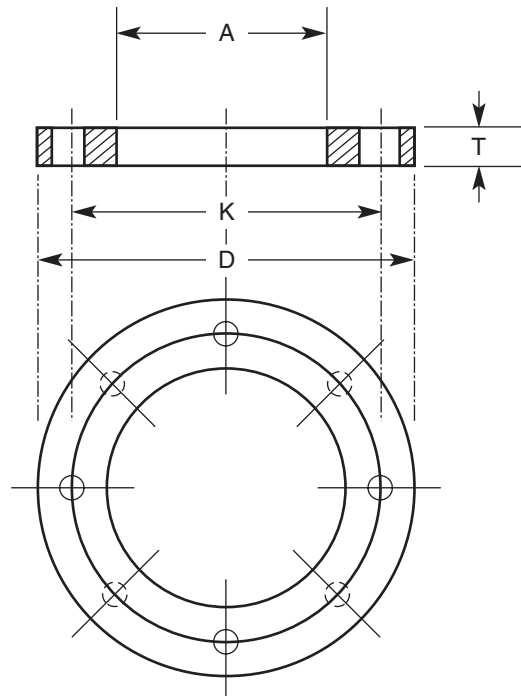




BACKING RINGS - TABLE D

Galvanised Steel - Stainless Steel available

CODE	PIPE OD	K	D	A	T Galv St.	T St. St.	BOLT HOLES No. x DIA	BOLT
BRDE020	20	67	95	32	6	6	4x14	M12
BRDE025	25	73	100	37	6	6	4x14	M12
BRDE032	32	83	115	44	6	6	4x14	M12
BRDE040	40	87	120	52	6	6	4x14	M12
BRDE050	50	98	135	62	8	8	4x14	M12
BRDE063	63	114	150	78	8	8	4x18	M16
BRDE075	75	127	165	92	8	8	4x18	M16
BRDE090	90	146	185	108	10	8	4x18	M16
BRD110	110	178	215	128	10	8	4x18	M16
BRD125	125	210	255	140	13	8	8x18	M16
BRD140	140	210	255	158	13	10	8x18	M16
BRD160	160	235	280	178	13	10	8x18	M16
BRD180	180	235	280	195	13	10	8x18	M16
BRD200	200	292	335	235	13	12	8x18	M16
BRD225	225	292	335	240	13	12	8x18	M16
BRD250	250	356	405	290	16	12	8x22	M20
BRD280	280	356	405	300	16	12	8x22	M20
BRD315	315	406	455	345	19	16	12x22	M20
BRD355	355	470	525	376	22	16	12x26	M24
BRD400	400	521	580	430	22	20	12x26	M24
BRD450	450	584	640	480	25	20	12x26	M24
BRD500	500	641	705	533	29	25	16x26	M24
BRD560	560	699	760	590	32	25	16x30	M27
BRD630	630	756	825	660	32	-	16x30	M27
BRD710	710	845	910	745	35	-	20x30	M27
BRD800	800	984	1060	835	41	-	20x36	M33
BRD1000	1000	1175	1255	1035	51	-	24x36	M33

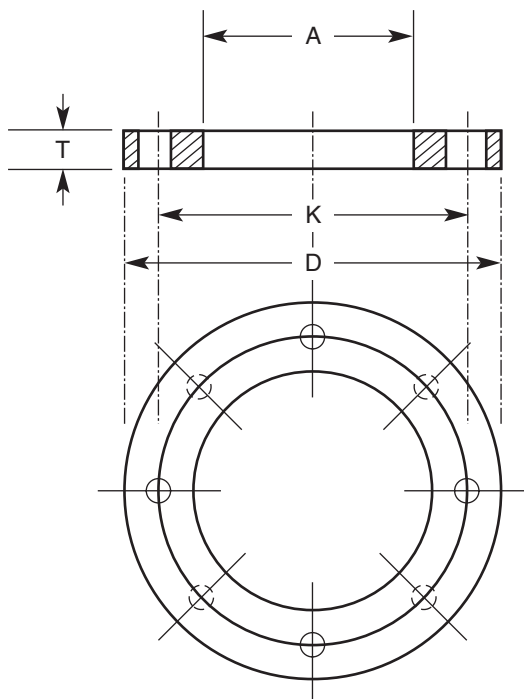




BACKING RINGS - TABLE E

Galvanised Steel - Stainless Steel available

CODE	PIPE OD	K	D	A	T Galv St.	T St. St.	BOLT HOLES No. x DIA	BOLT
BRDE020	20	67	95	32	6	–	4x14	M12
BRDE025	25	73	100	37	6	6	4x14	M12
BRDE032	32	83	115	44	7	6	4x14	M12
BRDE040	40	87	120	52	8	6	4x14	M12
BRDE050	50	98	135	62	9	8	4x14	M12
BRDE063	63	114	150	78	10	8	4x18	M16
BRDE075	75	127	165	92	10	8	4x18	M16
BRDE090	90	146	185	108	12	8	4x18	M16
BRE110	110	178	215	128	13	8	8x18	M16
BRE125	125	210	255	140	14	8	8x18	M16
BRE140	140	210	255	158	14	10	8x18	M16
BRE160	160	235	280	178	17	10	8x22	M20
BRE180	180	235	280	195	17	10	8x22	M20
BRE200	200	292	335	235	19	12	8x22	M20
BRE225	225	292	335	240	19	12	8x22	M20
BRE250	250	356	405	290	22	12	12x22	M20
BRE280	280	356	405	300	22	12	12x22	M20
BRE315	315	406	455	345	25	16	12x26	M24
BRE355	355	470	525	376	29	16	12x26	M24
BRE400	400	521	580	430	32	20	12x26	M24
BRE450	450	584	640	480	32	20	16x26	M24
BRE500	500	641	705	533	38	25	16x26	M24
BRE560	560	699	760	590	44	32	16x30	M27
BRE630	630	756	825	660	48	32	16x33	M30
BRE710	710	845	910	745	51	–	20x33	M30
BRE800	800	984	1060	835	54	–	20x36	M33
BRE1000	1000	1175	1255	1035	67	–	24x39	M36

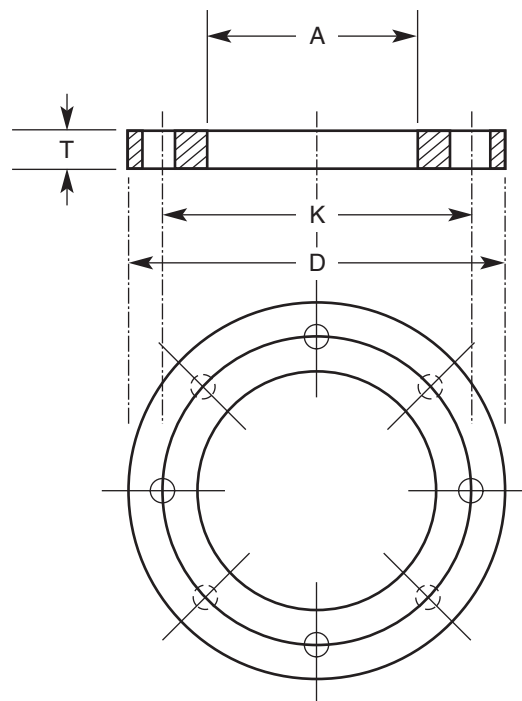




BACKING RINGS A.N.S.I.

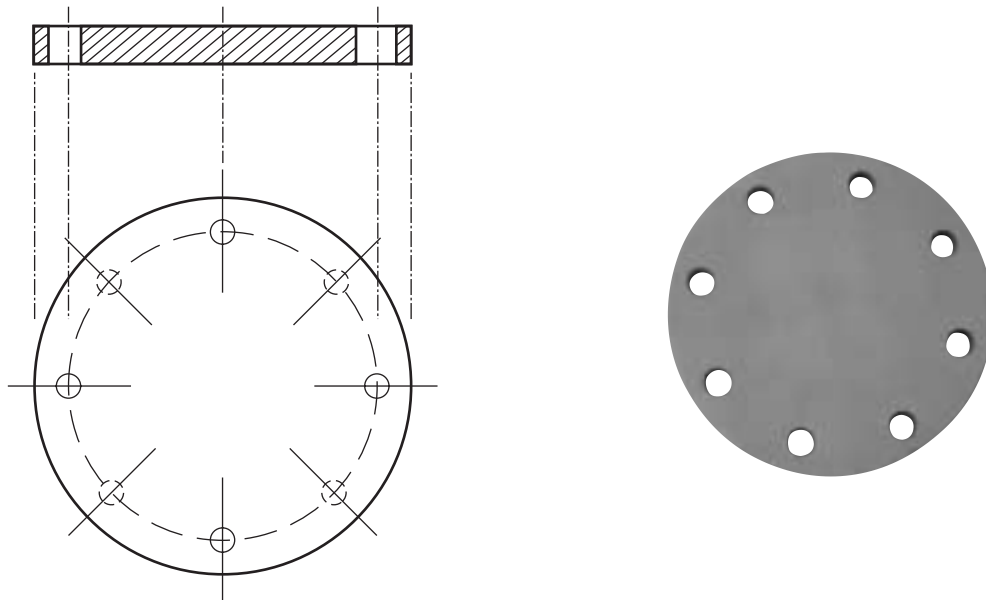
Galvanised Steel A.N.S.I. 150 - Stainless Steel available

CODE	PIPE OD	K	D	A	T Galv St.	T St. St.	BOLT HOLES No. x DIA	BOLT
BRA020	20	60.5	90	32	6	6	4x16	1/2"
BRA025	25	70	98	37	8	6	4x16	1/2"
BRA032	32	79.5	108	44	8	6	4x16	1/2"
BRA040	40	89	117	52	8	6	4x16	1/2"
BRA050	50	98.5	127	62	10	8	4x16	1/2"
BRA063	63	120.5	152	78	10	8	4x20	5/8"
BRA075	75	139.5	178	92	10	8	4x20	5/8"
BRA090	90	152	191	108	12	8	4x20	5/8"
BRA110	110	190.5	229	128	12	8	8x20	5/8"
BRA125	125	216	254	140	16	8	8x23	3/4"
BRA140	140	216	254	158	16	10	8x23	3/4"
BRA160	160	241	279	178	16	10	8x23	3/4"
BRA180	180	241	279	195	16	10	8x23	3/4"
BRA200	200	298.5	343	235	20	12	8x23	3/4"
BRA225	225	298.5	343	240	20	12	8x23	3/4"
BRA250	250	362	406	290	20	12	12x26	7/8"
BRA280	280	362	406	300	20	12	12x26	7/8"
BRA315	315	432	483	345	25	16	12x26	7/8"
BRA355	355	476	535	376	28	16	12x29	1"
BRA400	400	540	600	430	32	20	16x29	1"
BRA450	450	578	635	480	36	20	16x32	1 1/8"
BRA500	500	635	700	533	40	25	20x32	1 1/8"
BRA630	630	749	813	660	50	32	20x35	1 1/4"



BLIND FLANGES

Blind Flanges in Galvanised Steel, Stainless Steel or nominated other materials are available



SPECIAL BACKING RINGS

Backing Rings can be supplied, to customers particular dimensional requirements.

PE SHOULDERED ENDS

For butt welding - shouldered ends for electrofusion welding also available

CODE	OD	A	B	COUPLING SIZE
SE..063	63	68	55	2 ³ / ₈ "
SE..075	75	97	70	3 ¹ / ₂ "
SE..090	90	97	85	3 ¹ / ₂ "
SE..110	110	122	85	4 ¹ / ₂ "
SE..125	125	176	80	4 ¹ / ₂ "
SE..140	140	176	80	6 ¹ / ₂ "
SE..160	160	176	85	6 ¹ / ₂ "
SE..200	200	235	90	8 ⁵ / ₈ "
SE..225	225	235	90	8 ⁵ / ₈ "
SE..250	250	287	95	10 ³ / ₄ "
SE..280	280	338	105	12 ³ / ₄ "
SE..315	315	338	95	12 ³ / ₄ "
SE..355	355	370	100	14"
SE..400	400	420	100	16"
SE..450	450	472	100	"
SE..500	500	522	100	"

..PN rating to be specified

