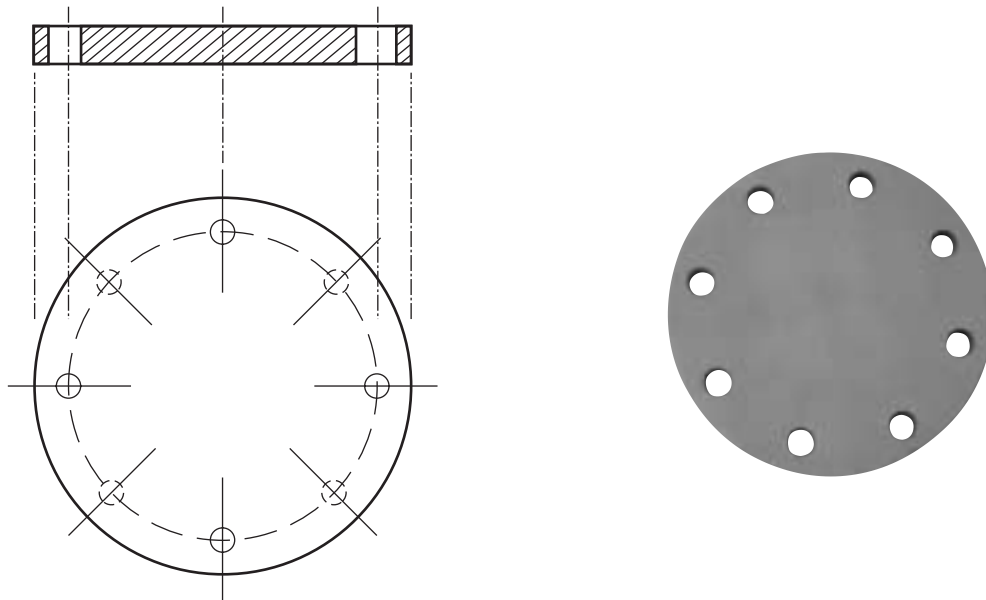




BLIND FLANGES

Blind Flanges in Galvanised Steel, Stainless Steel or nominated other materials are available



SPECIAL BACKING RINGS

Backing Rings can be supplied, to customers particular dimensional requirements.

PE SHOULDERED ENDS

For butt welding - shouldered ends for electrofusion welding also available

CODE	OD	A	B	COUPLING SIZE
SE..063	63	68	55	2 ³ / ₈ "
SE..075	75	97	70	3 ¹ / ₂ "
SE..090	90	97	85	3 ¹ / ₂ "
SE..110	110	122	85	4 ¹ / ₂ "
SE..125	125	176	80	4 ¹ / ₂ "
SE..140	140	176	80	6 ¹ / ₂ "
SE..160	160	176	85	6 ¹ / ₂ "
SE..200	200	235	90	8 ⁵ / ₈ "
SE..225	225	235	90	8 ⁵ / ₈ "
SE..250	250	287	95	10 ³ / ₄ "
SE..280	280	338	105	12 ³ / ₄ "
SE..315	315	338	95	12 ³ / ₄ "
SE..355	355	370	100	14"
SE..400	400	420	100	16"
SE..450	450	472	100	"
SE..500	500	522	100	"

..PN rating to be specified

