

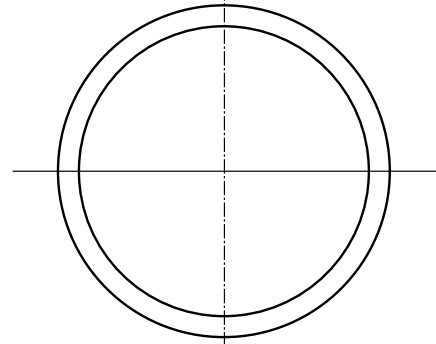


PE CAPS

Butt welded end caps

CODE	OD
C..20	20
C..25	25
C..32	32
C..40	40
C..50	50
C..63	63
C..75	75
C..90	90
C..110	110
C..125	125
C..140	140
C..160	160
C..180	180
C..200	200
C..225	225

CODE	OD
C..250	250
C..280	280
C..315	315
C..355	355
C..400	400
C..450	450
C..500	500
C..560	560
C..630	630
C..710	710
C..800	800
C..900	900
C..1000	1000
C..1200	1200

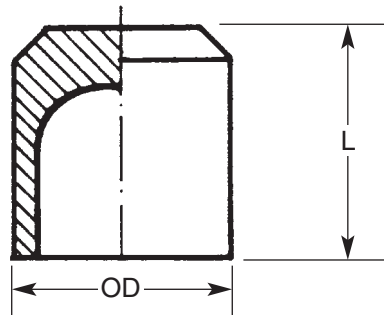


..PN rating to be specified

PE CAPS - MOULDED

Electrofusion or butt welding

CODE	OD
EFC020	20
EFC025	25
EFC032	32
EFC040	40
EFC050	50
EFC063	63
EFC075	75
EFC090	90
EFC110	110
EFC125	125
EFC140	140
EFC160	160
EFC180	180
EFC200	200
EFC225	225
EFC250	250
EFC280	280
EFC315	315
EFC355	355
EFC400	400
EFC450	450
EFC500	500
EFC560	560
EFC630	630



..PN rating to be specified