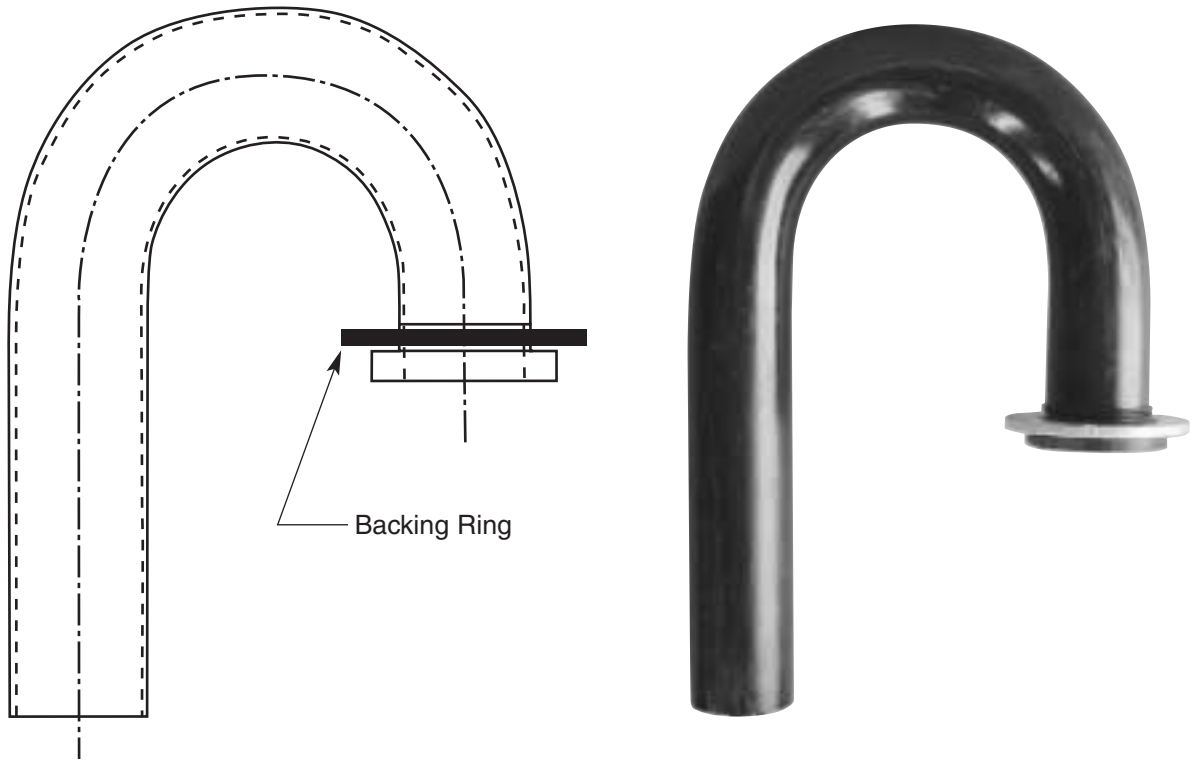




PE CYCLONE OVERFLOWS

Fabricated to suit
customer requirements



PE SUCTION STRAINER

Fabricated to suit
customer requirements

Available from 25mm
1,200mm outside diameter

