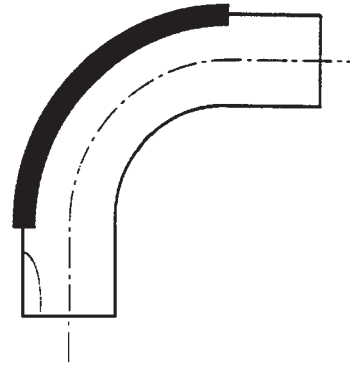




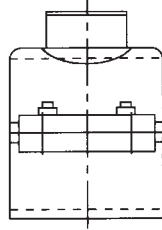
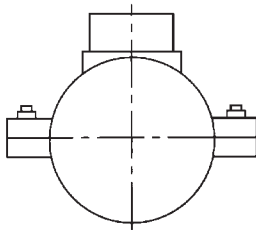
## PE HARD BACK BEND



25mm to 1,000mm outside diameter  
For high wear and abrasion installations



## PE TAPPING SADDLES

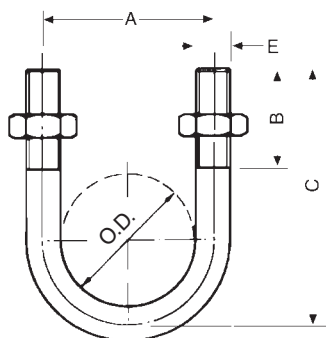


CODE	SIZE
TS06301	63x1"
TS07501	75x1"
TS07502	75x2"
TS09001	90x1"
TS09002	90x2"
TS11001	110x1"
TS11002	110x2"
TS14001	140x1"

CODE	SIZE
TS14002	140x2"
TS16001	160x1"
TS16002	160x2"
TS20002	200x2"
TS22502	225x2"
TS25002	250x2"
TS28002	280x2"
TS31502	315x2"

Different sizes available upon request

## STANDARD U BOLT - Galvanised Steel or Stainless Steel



PE PIPE O.D.	U BOLT NOMINAL SIZE	CENTRES A	THREAD LENGTH B	C	THREAD DIA E
20	15NB	30	25	50	M8
25	20NB	35	25	60	M8
32	25NB	45	25	65	M8
40	32NB	55	25	75	M8
50	40NB	60	35	90	M10
63	50NB	75	35	100	M10
75	65NB	90	45	130	M12
90	80NB	105	50	150	M16
110	100NB	135	50	175	M16
140	125NB	160	50	200	M16
160	150NB	190	55	235	M20
200	200NB	245	55	295	M20
225	225NB	270	55	310	M20
250	250NB	300	60	350	M20
280/315	300NB	350	60	400	M20
355	350NB	385	65	440	M24
400	400NB	435	65	500	M24
450	450NB	485	70	540	M24
500	500NB	540	70	600	M24
560	550NB	590	70	650	M24
630	650NB	690	70	740	M24
710	700NB	750	80	810	M30
800	800NB	850	80	910	M30
1000	1000NB	1060	90	1130	M36