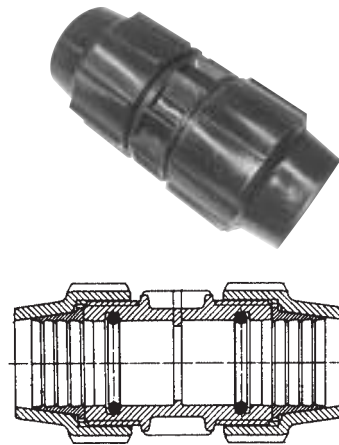




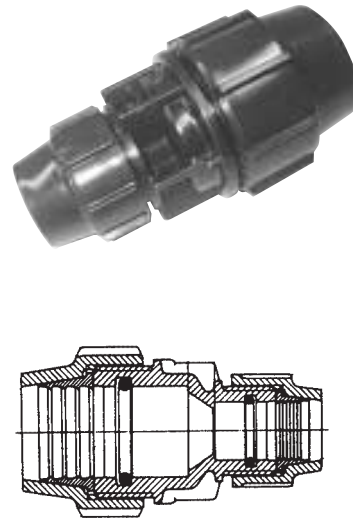
PE COMPRESSION JOINERS

| CODE | OD | PN |
|-------|-----|-----------|
| CJ020 | 20 | 16 |
| CJ025 | 25 | 16 |
| CJ032 | 32 | 16 |
| CJ040 | 40 | 16 |
| CJ050 | 50 | 16 |
| CJ063 | 63 | 16 |
| CJ075 | 75 | 12.5 - 16 |
| CJ090 | 90 | 12.5 - 16 |
| CJ110 | 110 | 12.5 - 16 |
| CJ125 | 125 | 12.5 |
| CJ160 | 160 | 10 |



PE COMPRESSION REDUCING JOINERS

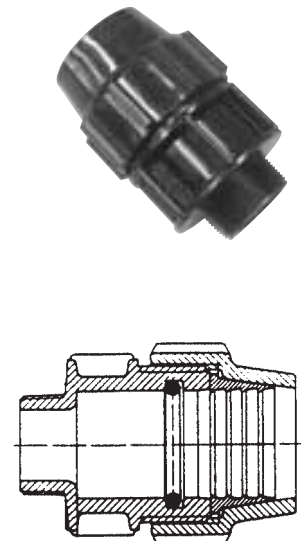
| CODE | OD | PN |
|----------|--------|-----------|
| CRJ02520 | 25x20 | 16 |
| CRJ03220 | 32x20 | 16 |
| CRJ03225 | 32x25 | 16 |
| CRJ04025 | 40x25 | 16 |
| CRJ04032 | 40x32 | 16 |
| CRJ05025 | 50x25 | 16 |
| CRJ05032 | 50x32 | 16 |
| CRJ05040 | 50x40 | 16 |
| CRJ06325 | 63x25 | 16 |
| CRJ06332 | 63x32 | 16 |
| CRJ06340 | 63x40 | 16 |
| CRJ06350 | 63x50 | 16 |
| CRJ07550 | 75x50 | 12.5 - 16 |
| CRJ07563 | 75x63 | 12.5 - 16 |
| CRJ09063 | 90x63 | 12.5 - 16 |
| CRJ09075 | 90x75 | 12.5 - 16 |
| CRJ11090 | 110x90 | 12.5 - 16 |



PE MALE COMPRESSION ADAPTOR

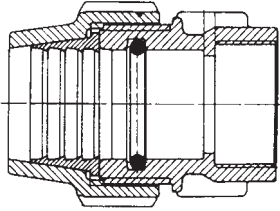
| CODE | SIZE | PN |
|----------|-----------|----|
| CAM02015 | 20x1/2" | 16 |
| CAM02020 | 20x3/4" | 16 |
| CAM02025 | 20x1" | 16 |
| CAM02515 | 25x1/2" | 16 |
| CAM02520 | 25x3/4" | 16 |
| CAM02525 | 25x1" | 16 |
| CAM03220 | 32x3/4" | 16 |
| CAM03225 | 32x1" | 16 |
| CAM03240 | 32x1 1/2" | 16 |
| CAM04025 | 40x1" | 16 |
| CAM04032 | 40x1 1/4" | 16 |
| CAM04040 | 40x1 1/2" | 16 |
| CAM04050 | 40x2" | 16 |
| CAM05032 | 50x1" | 16 |
| CAM05040 | 50x1 1/2" | 16 |

| CODE | SIZE | PN |
|-----------|-----------|-----------|
| CAM05050 | 50x2" | 16 |
| CAM06332 | 63x1 1/4" | 16 |
| CAM06340 | 63x1 1/2" | 16 |
| CAM06350 | 63x2" | 16 |
| CAM06365 | 63x2 1/2" | 16 |
| CAM07550 | 75x2" | 12.5 - 16 |
| CAM07565 | 75x2 1/2" | 12.5 - 16 |
| CAM07580 | 75x3" | 12.5 - 16 |
| CAM09050 | 90x2" | 12.5 - 16 |
| CAM09065 | 90x2 1/2" | 12.5 - 16 |
| CAM09080 | 90x3" | 12.5 - 16 |
| CAM090100 | 90x4" | 12.5 - 16 |
| CAM11050 | 110x2" | 12.5 - 16 |
| CAM11080 | 110x3" | 12.5 - 16 |
| CAM110100 | 110x4" | 12.5 - 16 |





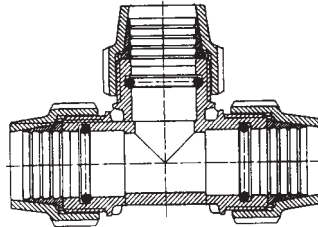
PE FEMALE COMPRESSION ADAPTOR



| CODE | SIZE | PN |
|----------|-----------|----|
| CAF02015 | 20x1/2" | 16 |
| CAF02020 | 20x3/4" | 16 |
| CAF02025 | 20x1" | 16 |
| CAF02032 | 20x1 1/4" | 16 |
| CAF02515 | 25x1/2" | 16 |
| CAF02520 | 25x3/4" | 16 |
| CAF02525 | 25x1" | 16 |
| CAF03220 | 32x3/4" | 16 |
| CAF03225 | 32x1" | 16 |
| CAF03232 | 32x1 1/4" | 16 |
| CAF04025 | 40x1" | 16 |
| CAF04032 | 40x1 1/4" | 16 |
| CAF04040 | 40x1 1/2" | 16 |

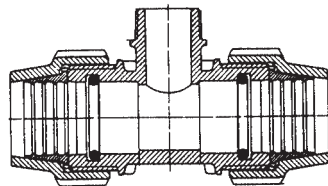
| CODE | SIZE | PN |
|-----------|-----------|-----------|
| CAF05032 | 50x1 1/4" | 16 |
| CAF05040 | 50x1 1/2" | 16 |
| CAF05050 | 50x2" | 16 |
| CAF06332 | 63x1 1/4" | 16 |
| CAF06340 | 63x1 1/2" | 16 |
| CAF06350 | 63x2" | 16 |
| CAF07550 | 75x2" | 12.5 - 16 |
| CAF07565 | 50x2 1/2" | 12.5 - 16 |
| CAF09050 | 90x2" | 12.5 - 16 |
| CAF09080 | 90x3" | 12.5 - 16 |
| CAF090100 | 90x4" | 12.5 - 16 |
| CAF110080 | 110x3" | 12.5 - 16 |
| CAF110100 | 110x4" | 12.5 - 16 |

PE COMPRESSION TEE



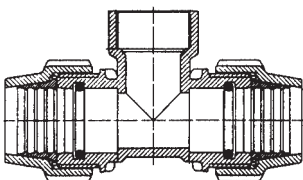
| CODE | SIZE | PN |
|-------|------|-----------|
| CT020 | 20 | 16 |
| CT025 | 25 | 16 |
| CT032 | 32 | 16 |
| CT040 | 40 | 16 |
| CT050 | 50 | 16 |
| CT063 | 63 | 16 |
| CT075 | 75 | 12.5 - 16 |
| CT090 | 90 | 12.5 - 16 |
| CT110 | 110 | 12.5 - 16 |

PE MALE COMPRESSION TEE



| CODE | SIZE | PN |
|----------|-----------|----|
| CTM02015 | 20x1/2" | 16 |
| CTM02020 | 20x3/4" | 16 |
| CTM02515 | 25x1/2" | 16 |
| CTM02520 | 25x3/4" | 16 |
| CTM03225 | 32x1" | 16 |
| CTM04032 | 40x1 1/4" | 16 |
| CTM04040 | 40x1 1/2" | 16 |
| CTM05032 | 50x1 1/4" | 16 |
| CTM05040 | 50x1 1/2" | 16 |
| CTM06332 | 63x1 1/4" | 16 |
| CTM06340 | 63x1 1/2" | 16 |
| CTM06350 | 63x2" | 16 |

PE FEMALE COMPRESSION TEE



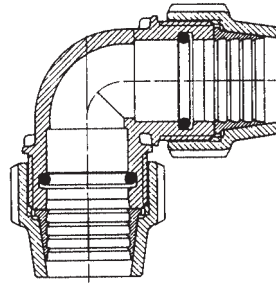
| CODE | SIZE | PN |
|----------|-----------|----|
| CTF02015 | 20x1/2" | 16 |
| CTF02020 | 20x3/4" | 16 |
| CTF02515 | 25x1/2" | 16 |
| CTF02520 | 25x3/4" | 16 |
| CTF02525 | 25x1" | 16 |
| CTF02532 | 25x1 1/4" | 16 |
| CTF03220 | 32x3/4" | 16 |
| CTF03225 | 32x1" | 16 |
| CTF03232 | 32x1 1/4" | 16 |
| CTF03240 | 32x1 1/2" | 16 |
| CTF04025 | 40x1" | 16 |

| CODE | SIZE | PN |
|----------|-----------|-----------|
| CTF04040 | 40x1 1/2" | 16 |
| CTF05040 | 50x1 1/2" | 16 |
| CTF05050 | 50x2" | 16 |
| CTF06332 | 63x1 1/4" | 16 |
| CTF06340 | 63x1 1/2" | 16 |
| CTF06350 | 63x2" | 16 |
| CTF07550 | 75x2" | 12.5 - 16 |
| CTF07565 | 75x2 1/2" | 12.5 - 16 |
| CTF07580 | 75x3" | 12.5 - 16 |
| CTF09080 | 90x3" | 12.5 - 16 |



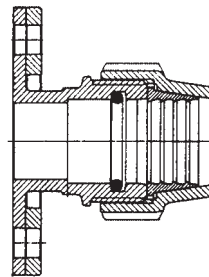
PE COMPRESSION ELBOW

| CODE | SIZE | PN |
|-------|------|-----------|
| CE020 | 20 | 16 |
| CE025 | 25 | 16 |
| CE032 | 32 | 16 |
| CE040 | 40 | 16 |
| CE050 | 50 | 16 |
| CE063 | 63 | 16 |
| CE075 | 75 | 12.5 - 16 |
| CE090 | 90 | 12.5 - 16 |
| CE110 | 110 | 12.5 - 16 |
| CE160 | 160 | 12.5 - 16 |



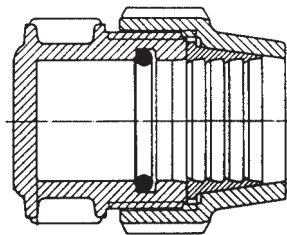
PE COMPRESSION FLANGE ADAPTOR

| CODE | SIZE | PN |
|--------|------|------|
| CFA063 | 63 | 16 |
| CFA075 | 75 | 16 |
| CFA090 | 90 | 16 |
| CFA110 | 110 | 16 |
| CFA125 | 125 | 12.5 |



PE COMPRESSION END CAP

| CODE | SIZE | PN |
|--------|------|-----------|
| CEC025 | 25 | 16 |
| CEC032 | 32 | 16 |
| CEC040 | 40 | 16 |
| CEC050 | 50 | 16 |
| CEC063 | 63 | 16 |
| CEC075 | 75 | 12.5 - 16 |
| CEC090 | 90 | 12.5 - 16 |
| CEC110 | 110 | 12.5 - 16 |



PE THREADED PLUGS

| CODE | BSP SIZE (Inch) |
|--------|-----------------|
| TFP015 | 1/2" |
| TFP020 | 3/4" |
| TFP025 | 1" |
| TFP032 | 1 1/4" |
| TFP040 | 1 1/2" |
| TFP050 | 2" |

